

Regal

**Oilfield Products
Catalog**



Table of Contents

For over 60 years, Oil States has provided a wide array of elastomeric and plastic products for the oil, gas, defense, construction and general industries. The addition of the Regal Product Line, which has been a leading supplier in the oilfield industry since 1961, further expands the range of available products.

Oil States maintains a high level of technical competency in engineering, development and manufacturing. As a result, the company today has an unequalled reputation for technical expertise, coupled with an overriding desire to develop unique and workable solutions to our customers' most difficult problems. This active pursuit of technology and creativity positions both the Oil States Regal Product Line and its customers as leaders in the advancement of elastomeric science.

Contact Oil States today. We're ready to put our technology to work for you.

Swab Cups _____	1 - 3
Rope Sockets _____	4
Swab Mandrels _____	5 - 6
Oil Saver Rubbers _____	7
Type BH Oil Saver _____	8
HR Stripmaster _____	9
Sucker Rod Guides _____	10
Rod Stripper Rubbers _____	11
Tubing Stripper Rubbers _____	12-13
Pipe Wipers _____	13
Tubing Test Cups _____	14-15
Packer Cups _____	16-17
Replacement Pulsation Diaphragms and Accessories _____	18
Drill Pipe / Casing Protector _____	19
Control Line Protector _____	20
CLP Order information _____	21
Oil States Locations _____	22
Notes _____	23-24
Terms and Conditions _____	inside back



BM Series



BV Series

BM Series

This multi-rib design known as the BM "Mission Type" cup allows for very light loading and has excellent tubing wall sealing characteristics. Designed to self-load, it is made with flexible lips and a large top loading lip to insure light load recovery.

BV Series

For light loads with a high ratio of sand, the BV Series swab cup will automatically dump when overloaded. The seven rib configuration is securely bonded to the aluminum or steel sleeves to prevent separation when dumping.



Sand King



BX Series

Sand King

The Sand King swab cup features five sets of dual ribs which give maximum fluid lifting in light to medium load applications. The larger upper rib in each set effects a positive seal even under the lightest load. The thicker and more rigid lower rib backs up and supports the upper rib enabling the SK cup to swab far greater fluid loads than the conventional rib-type cups.

BX Series

This cup is designed to be slightly flexible for a fast positive seal in medium load applications. Under loading, however, it compresses to form a solid rubber mass for maximum lifting capacity and durability with minimum wear.



R Series



Load King

R Series

For increased shape retention and support, this cup is designed with an internal metal reinforcement. Formulated with superior rubber compounding that is resistant to high temperatures, tearing and chunking, the R Series is an excellent choice in deep hot wells and rough or corroded tubing or casings. Because the metal is molded near the outer cup diameter, the wear is concentrated on the metal rather than the rubber.

Load King

Load King cups are designed with a high lip strength to provide maximum lifting power. When under load, the cup compresses to form a solid rubber mass capable of lifting the heaviest loads, even in rough or pitted tubings or casings.



GW Type

GW Type

The GW Type is a single lip cup reinforced with encapsulated steel spring wires. GW is designed for light loads in mixed strings, as well as internally damaged strings. The heavy, flexible lip enables the cup to run smoothly while its oversized lip automatically adjusts to provide a seal for total fluid removal.



Regal Tubing Swab Cups - Engineering Data & Part Numbers

Tubing Data				Tubing Swab Cups (Cup O.D. in inches shown below Part Number)							
Nom. O.D. (in.)	Tubing Weight (lb/ft)	Tubing I.D. (in.)	Min. Joint I.D. (in.)	LK Series	BX Series	SK Series	BV Series	BM Series	V Series	R Series	GW Series
1.315" (1")	1.70-1.80	1.049	.970		BX-10-AL 1.030						
	1.80	1.049			BX-10-UAL .970						
1.660" (1-1/4")	2.30-2.40		1.300		BX-12-AL 1.295	SK-12-ST 1.320					
	2.40				BX-12-UAL 1.295						
1.900" (1-1/2")	2.75-2.90	1.610	1.530	LK-15-AL 1.585	BX-15-AL 1.595		BV-15-AL 1.580		RV-15-ST 1.530	R-15 1.530	
	2.90				LK-15-UAL 1.512	BX-15-UAL 1.550					
2.000"	3.40	1.670		LK-16-AL 1.650	BX-1.670 AL 1.650	SK-16-AL 1.660					
2.063" (1-3/4")	3.25-3.40	1.751	1.700	LK-17-AL 1.695	BX-17-AL 1.690	SK-17-AL 1.690				R-17 1.630	
	3.40				LK-16-AL 1.650		BX-1.670-AL* 1.655				
2-3/8" (2")	4.60-4.70	1.995	1.945	LK-20-AL/ST 1.970	BX-20-AL 1.980	SK-20-AL 1.980	BV-20-AL/ST 1.955	BM-20-AL 1.935	RV-20-ST 1.960	R-20 1.935	GW-20 1.930
	4.70				LK-20-UAL/UST 1.935						
	5.30	1.938	1.890		BX-1.867-AL 1.867						
	5.80-5.95	1.867	1.805		BX-1.780-AL 1.780						
	6.20	1.853	1.795		BX-1.780AL 1.780						
	7.70	1.703	1.645		LK-15-AL 1.585	BX-15-AL 1.595					R-15 1.530
2-7/8" (2-1/2")	6.40-6.50	2.441	2.375	LK-25-AL/ST 2.425	BX-25-AL 2.425	SK-25-AL/ST 2.425	BV-25-AL/ST 2.425	BM-25-AL 2.400	RV-25-ST 2.410	R-25 2.370	GW-25 2.450
	6.50				LK-25-UAL/UST 2.360	BX-25-UAL 2.375					
	7.80-7.90	2.323	2.265	LK-23-AL 2.290	BX-23-AL* 2.323						
	7.90				LK-23-UAL 2.260	BX-2.295-AL 2.295					
	8.60-8.70	2.259	2.200	LK-29-AL/ST 2.235	BX-2.220-AL 2.220					R-2.259 2.150	
	8.70				LK-29-UAL/UST 2.170	BX-2.259-AL 2.255					
	9.50	2.195	2.130	LK-28-SP-AL/ST 2.125	BX-28-DP-AL 2.110						
	10.40DP	2.151	2.130								
11.50	1.995	1.935	LK-20-UAL/UST 1.935	BX-20-UAL 1.945	SK-20-UAL/UST 1.945					R-20 1.935	
3-1/2" (3")	7.70	3.068									
	9.0-9.30 9.50DP	2.992			BX-30-AL/ST 2.980					R-30 2.940	
	9.30	2.992	2.920								
	10.20	2.922	2.878		BX-30-UAL 2.890						
	10.30				BX-2.860-AL 2.860						
	12.70- 12.95	2.750	2.687		BX-2.720-AL 2.720						
	12.95										
	13.30DP	2.764									
15.50DP	2.602				BX-35-DP-AL 2.565						
4"	9.50	3.548			BX-3.548-AL* 3.458						
	11.00	3.476	3.395		BX-3.476-AL* 3.476						

*Available by special order
AL - aluminum insert

ST - steel insert
U - undersize

Casing Swab Cups - Engineering Data and Part Numbers

Casing Data				Casing Swab Cups (Cup O.D. in inches shown below Part Number)				
Nominal O.D. (in.)	Casing Weight (lb/ft)	Casing I.D. (in.)	Min. Joint I.D. (in.)	LK Series	BX Series	SK Series	V-Ring Series	R-(Wire)-Series
4-1/2"	9.50	4.090		LK-45-ST 4.000	BX-45-AL 4.020	SK-45-ST 4.020	RV-45-ST 4.030	R-45 4.000
	10.50	4.052						
	11.60	4.000			BX-3.850-AL 3.850			
	12.60 Tbg 12.75 Tbg	3.958	3.865		BX-3.850-AL 3.850		RV-45-ST 4.030	
	13.50	3.920			BX-3.850-AL 3.850			
	15.10-15.20 16.60 DP	3.826			BX-3.820-AL 3.820			
5"	15.00	4.408			BX-50-UID-AL 4.390			
	18.00	4.276			BX-4.241-AL 4.241			
5-1/2"	13.00	5.044			BX-55-AL* BX-55UID-AL* 4.975	SK-55-ST SK-55UID-AL 4.867	RV-55-ST 4.960	R-55 4.960
	14.00	5.012						
	15.50	4.950		LK-55-ST 4.867				
	17.00	4.892			BX-4.867-AL 4.867			

* Available by special order

Sure Swivel Rope Sockets - Fish Neck Grooves

Rope Sockets are constructed of high quality materials and are continuously checked for even the slightest defect. Fish neck grooves are incorporated on the upper neck and lower half of the type SS-1 rope sockets. These units are available for various wire rope sizes.



Rope Socket

Complete Assembly	Tubing Size	Rope	Fishing Neck Size	Thread Size	Components
RS109696	1"	1/2" - 5/8"	.700"	9/16" - 12 N.C.	1 ea: RS109600 .8125" x 9/16" BOTTOM 1 ea: RS100096 .8125" TOP, 9/16" WIRELINE
SS115858	1-1/4" TO 1 3/4"	1/2" - 5/8"	1.000"	5/8" API Sucker Rod Thread	1 ea: SS115800 1-1/4" x 5/8" BOTTOM 1 ea: SS110058 1-1/4" TOP, 5/8" WIRELINE
SS115896	1-1/4" TO 1-3/4"	1/2" - 5/8"	1.000"	5/8" API Sucker Rod Thread	1 ea: SS115800 1-1/4" x 5/8" BOTTOM 1 ea: SS110096 1-1/4" TOP, 9/16" WIRELINE
SS135858	1-1/2" to 2-1/2"	1/2" - 5/8"	1.188"	5/8" API Sucker Rod Thread	1 ea: SS135800 1-1/2" x 5/8" BOTTOM 1 ea: SS130058 1-1/2" TOP, 5/8" WIRELINE
SS135896	1-1/2" to 2-1/2"	1/2" - 5/8"	1.188"	5/8" API Sucker Rod Thread	1 ea: SS135800 1-1/2" x 5/8" BOTTOM 1 ea: SS130096 1-1/2" TOP, 9/16" WIRELINE
RS155896	1-1/2"	1/2" - 5/8"	1.125"	5/8" API Sucker Rod Thread	1 ea: RS155800 1-1/2" x 5/8" BOTTOM 1 ea: RS150096 1-1/2" TOP, 9/16" WIRELINE
SS173412	2" to 3"	1/2" - 5/8"	1.375"	3/4" API Sucker Rod Thread	1 ea: SS173400 2" x 3/4" BOTTOM 1 ea: SS170012 2" TOP, 1/2" WIRELINE
SS173458	2" to 3"	1/2" - 5/8"	1.375"	3/4" API Sucker Rod Thread	1 ea: SS173400 2" x 3/4" BOTTOM 1 ea: SS170058 2" x 5/8" WIRELINE
SS173496	2" to 3"	1/2" - 5/8"	1.375"	3/4" API Sucker Rod Thread	1 ea: SS173400 2" x 3/4" BOTTOM 1 ea: SS170096 2" TOP, 9/16" WIRELINE

OSI Regal manufactures steel swab mandrels, available in sizes 1" to 2-1/2". Mandrels are machined from one solid piece of bar stock. Removal of bottom nut allows easy installation and removal of swab cups by operator.

ST Series Slip Type Swab Mandrels

Size	Part Number	Mandrel Only	Spacer Ring	Bottom Nut
1-1/4" ST	125-ST-R	125-ST MANDREL	125-ST RING	125-ST NUT
1-1/2" ST	150-ST-R	150-ST MANDREL	150-ST RING	150-ST NUT
2"-ST	200-ST-R	200-ST MANDREL	200-ST RING	200-ST NUT
2-1/2" ST	250-ST-R	250-ST MANDREL	250-ST RING	250-ST NUT



ST Series

Model 50 Type Swab Mandrels

Size	Part Number	Mandrel Only	Top Section	Bottom Nut	Spacer Ring
1-1/2" Model 50	T50-150	T50-150 MANDREL	T50-150 TOP	150-ST NUT	150-ST RING
2" Model 50	T50-200	T50-200 MANDREL	T50-200 TOP	200-ST NUT	200-ST RING
2-1/2" Model 50	T50-250	T50-250 MANDREL	T50-250 TOP	250-ST NUT	250-ST RING

The Model 50 Series Swab Mandrel utilizes a ball and integral seat construction with a hollow mandrel to facilitate a free fall in the fluid.



Model 50



Swab Mandrels

The Single Knuckle Joint Swab Mandrel is made from 100% machined alloys for easy change out of one or more cups.

The Knuckle Joint Swab Mandrel is available in heat treated cast steel. These swabs allow a quick cup change with no threaded parts.

SKJ and KJM Series Knuckle Joint Swab Mandrels

Part Number	Mandrel with Nut	Spacing Ring	Top Section 3/4" Pin	Middle Mandrel	Bottom Mandrel
SKJ-20, 2 CUP	SKJ-20 MANDREL	200-ST-RING	SKJ-TOP		
SKJ-25, 2 CUP	SKJ-25 MANDREL	250-ST-RING	SKJ-TOP		
SKJ-45, 1 CUP	SKJ-45 MANDREL	SKJ-45 RING	SKJ-55 TOP		
SKJ-45, 2 CUP	SKJ-45 MANDREL	SKJ-45-RING	SKJ-55 TOP		
SKJ-55, 1 CUP	SKJ-55 MANDREL	SKJ-55-RING	SKJ-55 TOP		
SKJ-55, 2 CUP	SKJ-55 MANDREL	SKJ-55-RING	SKJ-55 TOP		
KJM-20			KJM-20 TOP	KJM-20 UPPER	KJM-20 LOWER
KJM-25			KJM-25 TOP	KJM-25 UPPER	KJM-25 LOWER



SKJ Series KJM Series

Spacer Sleeves for Single/Dual Knuckle Joint Mandrels

Swab Cup Size	Part Number
1-1/2"	153-SL
2"	203-SL
2-1/2"	253-SL
4-1/2"	453-SL

Oil Saver Rubbers



Oil Saver Rubbers - Tough, Long-Life Rubber

Oil Saver Rubbers are molded from a special compound of oil, gas and abrasion-resistant rubber for long service life. Oil and other fluids are removed from the wireline and allowed to re-enter the well, which helps prevent potential well-site contamination.



OS-9S



Type H



Bowen



Petrodyne

Part Number	Oil Saver Type	Wireline Size
OS-5/8	OS-9S Solid	5/8"
OS-9/16		1/2" - 9/16"
OS-3/16		3/16"
OS-1/4		1/4"
OS-5/16		5/16"
OS-3/8		3/8"
OS-1/2		1/2"
OS-7/16		7/16"
OS-.39		.39"
HL-1	HL-10-S Solid	1"
HL-1-1/4		1-1/4"
HL-1-1/2		1-1/2"
HL-5/8		1/2" - 5/8"
HL-1/4		1/4"
HL-9/16		9/16"
HL-3/16		3/16"
HL-3/8		3/8"
HL-1/2		1/2"
HL-5/16		5/16"
HL-7/16		7/16"
HL-3/4		3/4"
GA-9/16	Type H Black	3/8" - 5/8"
GA-9/16-G	Type H Green	
GA-9/16-M	Type H Blue	
GA-9/16-S	Type H Red	
GA-5/16	Type H Black	5/16"
GA-3/4	Type H Black	1"
OSB-3/16-L*	Bowen	3/16"
OSB-15/32-L*		15/32"
OSB-5/16-M*	Bowen, mid-size	5/16"
OSB-1/4-M*		1/4"
OSP-5/16*	Petrodyne	5/16"
OSP-7/32*		7/32"
OSBC*	Bell "HR" & Bowen	3/8" - 5/8"
OSB-1*	Bell Type "HL"	

*Available by special order.

Type BH Hydraulic Wireline Oil Saver



Type BH Hydraulic Wireline Oil Saver Unit

Type BH Hydraulic Wireline Oil Saver Unit

Part Number	Description
BH-SINGLE 2-3/8"	BH Single Unit, Only 2-3/8" EUE 8rd
BH-SINGLE 2-7/8"	BH Single Unit, Only 2-7/8" EUE 8rd
BH-SINGLE 3-1/2"	BH Single Unit, Only 3-1/2" LP 8-V
BH-DUAL 2-3/8"	BH Dual Unit, Only 2-3/8" EUE 8rd
BH-DUAL 2-7/8"	BH Dual Unit, Only 2-7/8" EUE 8rd
BH-DUAL 3-1/2"	BH Dual Unit, Only 3-1/2" LP 8-V

Type Hydraulic Wireline Oil Saver - Spare Parts List

New Part Number	Part Description	Number Required	
		Dual	Single
BH-BODY SINGLE	BH-1 Body, Single	0	1
BH-DUAL BODY	BH-1 Body, Dual	1	0
BH-GATE	BH-2 Gate	1	1
OS-GA	BH-3 Bushing, 3/8" - 5/8"	4 sets	2 sets
OS-GA 3/4"	BH-3 Split Bushing, 3/4"	4 sets	2 sets
BSHGCLP	BH-4 Bushing Clip	4	2
BH-SPACER	BH-5 Busing Spacer - (Dual Only)	1	0
BH-PISTON	BH-6 Ram	1	1
BH-YOKE	BH-7 Yoke	1	1
BH-PIN	BH-8 Yoke Retaining Pin	1	1
BH-HSG-PLUG	BH-9 Housing Plug	1	1
BH-HOUSING	BH-10 Housing	1	1
BH-SPRING	BH-11 Spring	1	1
BH-TOOL	BH-12 Redressing Tool	1	1
O-GA	O-Rings, BH-20, Kit Only	1	1
BH-BASE-2 3/8"	BH-19 Base, 2-3/8" EUE-8rd	1	1
BH-BASE-2 7/8"	BH-19 Base, 2-7/8" EUE 8rd	1	1
BH-BASE-3 1/2"	BH-19 Base, 3-1/2" LP 8-V	1	1
BH-PLUG	BH-13, 3/8" Pipe Plug	1	1



HR Stripmaster Unit

Oil Saver Unit

Part Number	Description
393530 XX	Type HR Unit Complete (Specify Line Size)
393530-T XX	Type HR Unit Complete w/ Tulip Guide (Specify Line Size)

HR Stripmaster - Parts List

HR-5000		Qty.	Description
New Part Number	Type		
HR-BODY	HR-1	1	Body
HR-ADP	HR-2	1	Adapter
HR-SCREW	HR-3	1	Packing Screw
HR-GLAND	HR-4	1	Gland
HR-PISTON	HR-5 (5000)	1	Piston
HR-SLEEVE	HR-6	1	Sleeve Assembly
HR-CONNECT BUSHING	HR-10	1	Connect Bushing
HR-CONNECT SCREW	H-11	1	Connect Screw
HR-O-RING	HR	1	O-Ring, Kit
BSHGCLP	BH-4	1	Bushing Clip
393503XX	HRU	Set	Upper Bushing*
393531XX	HRL	Set	Lower Bushing*
HR-CAGE	HR-19	1	Cage
HR-CAP	HR-5/8"	3	Cap Screw
OS-XX	see pg. 7	1	Oil Saver Rubber*

* Specify Line Size

Miscellaneous Parts for HR and Stripmaster

Part Number	Description
HR-DUAL-AD	HR-Dual Adapter
HR-PISTON / GLAND	HR-4&5 500 Gland & Piston, Complete
HR-TULIP	HR-Tulip Guide



HR Tulip Line Guide



Brass Bushings

Sucker Rod Guides

Increase Pumping Efficiency

Eliminate or greatly reduce down-hole problems with Hi-Temp Snap-on and Twist-on Rod Guides. With a coefficient of friction when wet lower than metal, overall pumping efficiency is increased while costly metal-to-metal contact between the rods and tubing is minimized. Wear on coupling is also less, thus reducing costly rod partings.

Fewer “Pulling” Jobs

The guides also function as bearing by centralizing the sucker rods in the tubing. Even as tubing buckles in the well during the upstroke, the guides help prevent contact between the rods and tubing. Polished rod loads are reduced due to the lower friction and less abrupt stress reversals.

Snap-on Guides

The standard of the industry for years, Hi-Temp Snap-on guides are made of abrasion-resistant, synthetic rubber. A spring steel “clip” insert is molded into the rubber guide, providing a positive grip on the sucker rod and preventing slippage in temperatures up to 300°F.

Twist-on Guides

Oil States’ Twist-on rod guides contain no metal clip insert. Tests, however, indicate an excellent holding strength due to design and materials. The Twist-on style rod guide can easily be installed with a pipe wrench, and withstand temperatures up to 200°F.



Rod Guide

Rubber Rod Guides				
Size	Part Number	Rod Size	Tubing Size	
2"	5820-HT	5/8"	2-3/8"	
	3420-HT	3/4"		
	7820-HT	7/8"		
2-1/2"	5825-HT	5/8"	2-7/8"	
	3425-HT	3/4"		
	7825-HT	7/8"		
	1025-HT	1"		
	1125-HT*	3/4" Pipe		
	1525-HT*	1" Pipe		
3"	5827-HT*	5/8"	3-1/2"	
	3427-HT	3/4"		
	7827-HT	7/8"		
	1027-HT	1"		
	1127-HT*	3/4" Pipe		
	1527-HT*	1" Pipe		
3-1/2"	3435-HT*	3/4"	Casing	
	7835-HT*	7/8"		
3-1/2"	1035-HT*	7/8"		
	1135-HT*	3/4" Pipe		
3 1/2"	1535-HT*	1" Pipe		Casing

Twist on Guides			
Size	Part Number	O.D. of Guides (Installed)	Tubing Size
2" Tubing	TO3420	1-3/4"	2-3/8"
2" Tubing	TO5820	1-3/4"	2-3/8"
2" Tubing	TO7820	1-3/4"	2-3/8"
2-1/2" Tubing	TO3425	2-1/8"	2-7/8"
2-1/2" Tubing	TO7825	2-1/8"	2-7/8"

Rod Stripper Rubbers



Rod Stripper Rubbers - Excellent Service Life

Rod Stripper Rubbers efficiently remove oil and other fluids from the rod string being pulled from the well. The special abrasion and wear-resistant rubber compound used in the stripper rubbers assures maximum product service life.

Stripper Rubbers

Part Number	Type	Size
BRS-FINGER	BRS Finger	5/8" - 1"
RS-5350	E.E. Stripper	All Rod Sizes
RS-5058	BJ Praetet	5/8" Rod
RS-5034	BJ Praetet	3/4" Rod
RS-5078	BJ Praetet	7/8" Rod
RS-5100	BJ Praetet	1" Rod
RS-Pigtail	BJ "Pigtail"	All Rod Sizes



"BRS" Rod Stripper Rubber



BJ Type Rod Stripper

BJ Wireline Wiper

Part Number	Oil Saver Type	Wireline Size
OSBJ	BJ Stipple	1/2" - 7/8"
OSBJ-1/4	BJ Stipple	1/4" - 5/8"



BJ Wireline Wiper

Tubing Stripper Rubbers



Guiberson Type



BIW PX-107



Gulfco Type S6, GSR



Hercules Type



NH type 4 in 1



Petromec "Flex Grip"



OCT Type ROS



OCT Type T-16 ROS

Part Number	Description	Nominal Size
Guiberson Type		
DH-1315	Guiberson Type	1.315
DH-1660	Guiberson Type	1.660
DH-1900	Guiberson Type	1.900
DH-2250	Guiberson Type	2.375
DH-2750	Guiberson Type	2.875
DH-3000*	Guiberson Type	2.875
DH-3750*	Guiberson Type	3.500
BIW-1 Type		
BIW-1-20*	BIW PX-107	2"
BIW-1-25*	BIW PX-107	2 1/2"
BIW-1-30*	BIW PX-107	3"
Gulfco Type		
GSR-12*	Gulfco Type S6	1.660
GSR-15*	Gulfco Type S6	1.900
GSR-17*	Gulfco Type S6	1.990
GSR-20*	Gulfco Type S6	2-3/8
GSR-25*	Gulfco Type S6	2-7/8
Huber Type		
HERC-20*	HS-20, Huber Hercules	2-3/8
HERC-25*	HS-25, Huber Hercules	2-7/8
Norris-Hinderliter Type		
NH-12*	Norris-Hinderliter 4-1	1.660
NH-15*	Norris-Hinderliter 4-1	1.900
NH-20*	Norris-Hinderliter 4-1	2-3/8
NH-25*	Norris-Hinderliter 4-1	2-7/8
Petromec Type		
PETRO-20	Petromec "Flex Grip" 20155-3	2-3/8
PETRO-25	Petromec "Flex Grip" 20155-2	2-7/8
OCT Type		
ROS-20*	OCT Type	2-3/8
ROS-25*	OCT Type	2-7/8
ROS-30*	OCT Type	3-1/2
RT-1617*	T-16 OCT Type	1 3/4"
RT-1620*	T-16 OCT Type	2"
RT-1625*	T-16 OCT Type	2 1/2"
RT-1630*	T-16 OCT Type	3"

*Available by special order.

A product of Oil States for more than thirty years. Tubing Stripper Rubbers are made from a proven oil and abrasion-resistant rubber.

Tubing can be pulled or run-in with pressure still on the well while also stripping fluids off the tubing O.D. to provide a cleaner job site.

Tubing Stripper Rubbers



Tubing Stripper Rubbers

Part Number	Head Type	Size
PGSR		
PGSR-12*	PGSR Type	1.660
PGSR-15*	PGSR Type	1.990
PGSR-20*	PGSR Type	2-3/8
PGSR-25*	PGSR Type	2-7/8
PGSR-30*	PGSR Type	3-1/2
Halstrip Type		
HS-20	Halstrip	2"
HS-25	Halstrip	2 1/2"
HS-30*	Halstrip	3"
HS-15*	TXS-15, Halstrip	1.900
HS-17*	TXS-17, Halstrip	2-1/16
Rector Type		
RSR-10*	Rector 'S'	1"
RSR-12*	Rector 'S'	1 1/4"
RSR-15*	Rector 'S'	1 1/2"
RSR-20*	Rector 'S'	2"
RSR-25*	Rector 'S'	2 1/2"
RSR-30*	Rector 'S'	3"
Larkin Type		
LSK-20	Larkin 'K'	2"
LSK-25	Larkin 'K'	2 1/2"
LSK-30*	Larkin 'K'	3"
LSK-TS-20	Larkin 'SK'	2"
LSK-TS-25	Larkin 'SK'	2-1/2"
LSR-12	Larkin 'SR'	1.660
LSR-15	Larkin 'SR'	1.900
LSR-20	Larkin 'SR'	2"
LSR-25*	Larkin 'SR'	2-1/2"
LSR-30*	Larkin 'SR'	3"
Marcom Type		
MSR-20*	Marcom	2"
Tubing Stripper Top Seal		
LSR-TS-20*	4-1 & Larkin 'SR'	2"
LSR-TS-25*	4-1 & Larkin 'SR'	2 1/2"
LSR-TS-30*	4-1 & Larkin 'SR'	3"



PGSR Type



Halstrip



RSR Type



Larkin Type K



Larkin Type SR



TPLSR
Top Seal

*Available by special order.



Flat Pipe Wipers and Dual Pipe Wipers

Pipe Wipers

Molded into long wearing, abrasion-resistant Pipe Wipers are concentric grooves which act as a guide for cutting the wiper into various pipe sizes.

Pipe Wipers can also prevent foreign objects from entering the well bore by covering the annulus between the tubing and the casing.

Flat Pipe Wipers

Part Number	Wiper Size	Tubing Size
9SRL-1900-R	9"	1-1/4" - 2-1/16"
9SRL-2375-R		2-3/8"
9SRL-2875-R		2-7/8"
9SRL-3500-R		Cut to fit 3-1/2"
10HB-2375-R	10"	2-3/8"
10HB-2875-R		2-7/8"
10HB-XXXX-R		Cut to 2-7/8" - 4-1/2"
12SRL-1210-R	12"	1-1/4" - 2-1/16"
12SRL-2375-R		2-3/8"
12SRL-2875-R		2-7/8"
12SRL-XXXX-R		Cut to fit 3-1/2" to 5-1/2"
14SRL-1000-R	14"	1"
14SRL-2375-R		2-3/8"
14SRL-XXXX-R		Cut to fit 2-7/8" - 5"
17SRL-2375-R	17"	2-3/8"
17SRL-XXXX-R		Cut to fit 2-7/8" - 6"
19SRL-2375-R	19"	2-3/8"
19SRL-2875-R		Cut to fit 2-7/8" - 7"



Flat Pipe Wiper

Flat Pipe Wipers - No Ring

Part Number	Wiper Size	Tubing Size
9SRL-2375-NR*	9" NO RING	2-3/8", Can be cut to fit to 3-1/2"
12SRL-2375-NR*	12" NO RING	2-3/8", Can be cut to fit to 4-1/2"
17SRL-2375-NR*	17" NO RING	2-3/8", Can be cut to fit to 6"

* Available by special order

Dual Pipe Wipers

Part Number	Wiper Size	Tubing Size
14DW-2375	14"	2-3/8" - 7"
17DW-2375	17"	2-3/8" - 6"
19DW-2375	19"	2-3/8" - 7"
24DW-2375	24"	2-3/8" - 7"



Dual Pipe Wiper

Tubing Test Cups



Bar Type Cups						
Part Number	Tubing O.D.	Tubing Weight	Tool Size	Durometer		
150BT-2.90*	1.900"	2.90	1"	90		
216BT-3.25*	2-1/16"	3.25-3.4				
238BT-0770*	2 3/8"	4.6-4.7	3/4"	70		
238BT-0790*				90		
238BT-0870*				70		
238BT-0890			90			
238BT-1070*			1-1/16"	70		
238BT-1080*				80		
238BT-1090				90		
238BT-1091*				90		
238BT-1270				70		
238BT-1280			1-1/4"	80		
238BT-1290				90		
238BT-1291*				90		
238BT-5.95*				5.95	90	
278BT-1070*				2 7/8"	6.4-6.5	1-1/16"
278BT-1090			90			
278BT-1270*	1-1/4"	70				
278BT-1280*		80				
278BT-1290*		90				
278BT-1291*		90				
278BT-1370*		70				
278BT-1370*	1-5/16"	80				
278BT-1380*		90				
278BT-1390		70				
278BT-1570*	1-1/2"	80				
278BT-1580*		90				
278BT-1590		70				
278BT-1670	1.600"	80				
278BT-1680*		90				
278BT-1690		90				
278BT-1691*		90				
278BT-7.90*		7.90	90			
278BT-8.70*		8.70				
350BT-1270*		3-1/2"	9.2-9.3			1-1/4"
350BT-1290*	90					
350BT-1670*	1.600"					70
350BT-1690*						90
350BT-1870*						70
350BT-1880*	1.875"					80
350BT-1890*						90
350BT-2070*						70
350BT-2080*	2.000"					80
350BT-2090*				90		
350BT-10.3*	10.3			1.855"	90	
350BT-12.95	12.95			specify tool size		

Drag Type

The standard drag-type test cup is constructed of a 70 durometer upper section with a 90 durometer lower section for greater strength. The two compounds are bonded to a steel sleeve and base to form a rugged, long lasting test cup.

Bar Type

Bar-type tubing test cups are available for five tubing sizes, various tool sizes and in 70, 80 and 90 durometer nitrite rubber compounds. A 90 durometer natural rubber compound is also available for all-weather operation. Field tests have repeatedly proven the heavy-duty capabilities of this cup.



Bar Type BT



Water Saver WS



Drag Type MT

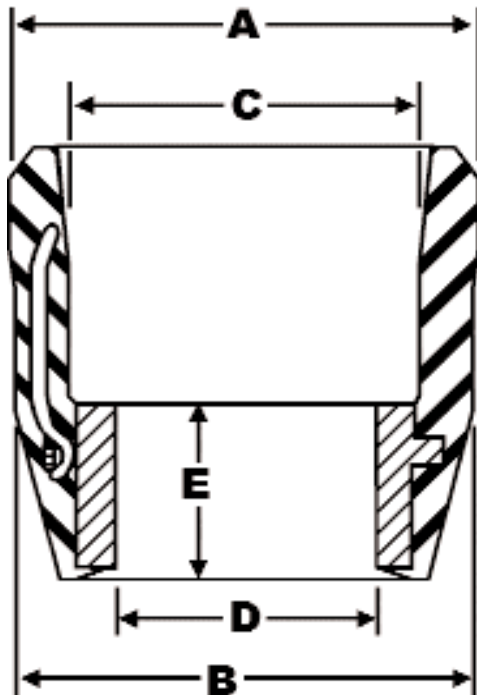
Drag Type Cups		
Part Number	Tubing O.D.	Tool Size
0175*	2-1/16"	5/8"
20-MT	2-3/8"	7/8"
20-MTS	2-3/8" Hydril	7/8"
25-TC	2-7/8"	1-1/16"
30-TC	3-1/2"	1-1/4"

Water Saver Cups		
Part Number	Tubing O.D.	Cup I.D.
20-WS	2-3/8"	11/16"
25-WS	2-7/8"	11/16"
30-WS	3-1/2"	11/16"

*Available by special order.

Packer Cups

Packer cups are molded from a durable oil, gas and abrasion resistant rubber compound that withstands wear and tear, even under high pressure. Special compounds are available on request. Each is equipped with a sturdy steel base for additional support in the critical area where the wires connect to the cup base. Oil States offers over fifty individual cups, ranging from 2-3/8" tubing thru 13-3/8" casing, with optional I.D. sizes from many popular casing sizes.



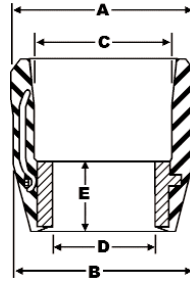
2-3/8" - 6-5/8" Cups									
Nominal Tubing/Casing O.D.	Wt. Range Lb/Ft	Tubing/Casing I.D.	All dimensions shown are nominal only and subject to change without notice					Part Number	
			A	B	C	D	E		
2-3/8"	4.6-4.7	1.995	2.01	1.88	1.28	1.09	0.87	P-204-1	
2-7/8"	6.4-6.5	2.441	2.46	2.29	1.67	1.34	1.25	P-254-1	
3-1/2"	7.7	3.068	3.19	2.91	1.75	1.34	1.30	P-304-2*	
					2.31	1.94	1.22	P-304-S-1*	
	9.2-9.3	2.992	3.05		1.75	1.34	1.31	P-304-1	
			3.01		2.21	1.94	1.24	P-304-S	
	10.2	2.992	3.05		1.75	1.34	1.31	P-304-1*	
			3.01		2.21	1.94	1.24	P-304-S	
4"	9.5	3.548	3.58	3.53	2.62	1.94	1.31	P-354-1*	
	11.0	3.476	3.51	3.43	2.25		1.31	P-404-1*	
	13.4	3.340	3.41	3.20	2.60		1.29	P-404-2*	
4-1/2"	9.5	4.090	4.18	3.90	2.66	2.41	1.46	P-454-1	
	11.6	4.000						P-454-1	
	16.6	3.826	3.93	3.72			1.51	P-454-DP*	
5"	13.0	4.494	4.52	4.37	2.66	2.41	1.46	P-504-1*	
	15.0	4.408						P-504-1	
	18.0	4.276	4.37	4.15			2.67	1.39	P-504-2
	20.3	4.184							P-504-2
5-1/2"	13.0	5.044	5.10	4.91	3.28	2.90	1.44	P-554-1	
	15.0	5.012						P-554-1	
		4.950	5.01	4.83				P-554-2	
	17.0	4.892						P-554-2	
	20.0	4.778	4.95	4.64				P-554-2A	
	23.0	4.670						P-554-2A	
6"	15.0	5.524	5.65	5.41	3.52	2.90	1.46	P-604-1*	
	18.0	5.424						P-604-1*	
6-5/8"	20.0	6.049	6.12	5.91	4.18	3.53	1.43	P-658-2	
				5.70	4.06			1.38	P-658-3*
	24.0	5.921	6.00	5.60	4.23	4.03	1.38	P-658-3A*	
					4.18	2.90		1.43	P-658-3C*
	28.0	5.791		5.70	4.06	3.53	1.38	P-658-3	
				5.60	4.23	4.03		P-658-3A*	
				4.18	2.90	1.43	P-658-3C*		

*Available by special order.

Packer Cups



7" - 8-5/8" Cups								
Nominal Tubing/ Casing O.D.	Wt. Range Lb/Ft	Tubing/ Casing I.D.	All dimensions shown are nominal only and subject to change without notice					Part Number
			A	B	C	D	E	
7"	17.0	6.538	6.60	6.39	4.06	3.53	1.38	P-704-1*
			6.57	6.30	4.21	2.90	1.44	P-704-1C*
	20.0	6.456	6.60	6.39	4.06	3.53	1.38	P-704-1
			6.57	6.30		2.90	1.44	P-704-1C*
	22.0	6.398	6.52	6.27	4.06	3.53	1.38	P-704-1A
			6.50	6.22	4.45	4.03	1.44	P-704-1B*
	24.0	6.336	6.52	6.27	4.06	3.53	1.38	P-704-1A
			6.22	4.45	4.03			P-704-1B*
	26.0	6.276	6.34	6.09	4.06	3.53	1.38	P-704-2
					4.19	4.03	1.40	P-704-2A*
					4.06	2.90	1.38	P-704-2C*
					4.06	3.53	1.38	P-704-2
	29.0	6.184	6.34	6.09	4.19	4.03	1.40	P-704-2A*
					4.06	2.90	1.38	P-704-2C*
32.0	6.094	6.12	5.91	4.18	3.53	1.43	P-658-2	
35.0	6.004		5.91			P-658-2		
38.0	5.920	6.00	5.70	4.06	3.53	1.38	P-658-3	
			5.60	4.23	4.03		P-658-3A*	
			4.18	2.90	1.43		P-658-3C*	



9-5/8" - 13-3/8" Cups								
Nominal Tubing/ Casing O.D.	Wt. Range Lb/Ft	Tubing/ Casing I.D.	All dimensions shown are nominal only and subject to change without notice					Part Number
			A	B	C	D	E	
9-5/8"	29.3	9.063	9.21	8.67	5.02	3.53	1.77	P-958-2*
			9.23		5.77	5.53	1.62	P-958-2A*
				5.77	4.53		P-958-2B*	
	36.0	8.921	9.21	8.67	5.02	3.53	1.77	P-958-2
			9.23		5.77	5.53	1.62	P-958-2A*
					4.53		P-958-2B	
			9.03	8.60	5.79	5.53	1.64	P-958-4*
						3.53		P-958-4A*
	40.0	8.835	8.90	8.45	5.03	4.53	1.81	P-958-1*
						3.53		P-958-1B*
			9.03	8.60	5.79	5.53	1.64	P-958-4*
						3.53		P-958-4B*
	43.5	8.755	8.90	8.45	5.03	4.53	1.81	P-958-1
						3.53		P-958-1B
9.03			8.60	5.79	5.53	1.64	P-958-4*	
					3.53		P-958-4B*	
47.0	8.681	8.90	8.45	5.03	4.53	1.81	P-958-1	
					3.53		P-958-1B	
53.5	8.535	8.80	8.42	5.80	5.53	1.64	P-958-3*	
					5.53		P-958-3*	
10-3/4"	40.5	10.050	10.17	9.71	5.83	4.53	1.64	P-1075*
						3.53		P-1075-B*
	55.5	9.760				4.53		P-1075
						3.53		P-1075-B
11-3/4"	38.0	11.150	11.25	10.50	6.12	4.53	1.65	P-1175-1*
					5.95	3.53	1.71	P-1175-1B*
	54.0	10.880			6.12	4.53	1.65	P-1175-1
					5.95	3.53	1.71	P-1175-1B*
12"	40.0	11.384	11.82	11.38	7.22	4.53	1.69	P-1200*
			11.38	10.38				P-1200-B*
13-3/8"	54.5	12.615	12.68	12.29	7.10	4.53	1.72	P-1338-1*
	72.0	12.347						P-1338-1

*Available by special order.

*Available by special order.

Replacement Pulsation Diaphragms

New Part Number	Description
RPD-10*	RPD-10, Pulsation Dampener Diaphragm, 10 gallon
RPD-20*	RPD-20, Pulsation Dampener Diaphragm, 20 gallon
RPD-55*	RPD-55, Pulsation Dampener Diaphragm, 20 gallon



RPD-10/20 Hydril Type



Continental Emsco RPD-55 Type

RPD-10/20 Accessories

New Part Number	Description
RPD-10-SR*	RPD-10-SR, Stabilizer Rubber for RPD-10
RPD-B*	RPD-10-B, Bolt for RPD-10
RPD-10-W*	RPD-W, Washer for RPD-10 & RPD-20
RPD-P*	RPD-MP, Mounting Plate for RPD-10 & RPD-20
RPD-10-KIT*	RPD-10-SK, Stabilizer Kit for RPD-10
RPD-20-SR*	RPD-20-SR, Stabilizer Rubber for RPD-20
RPD-20-B*	RPD-20-B, Bolt for RPD-20
RPD-20-KIT*	RPD-20-SK, Stabilizer Kit for RPD-20

Drill Pipe/Casing Protectors

The Regal Drill Pipe/Casing Protectors (DPPs) are steel reinforced rubber pads which, when installed around the drill pipe, offer an expendable downhole wear surface. They are designed to protect the casing I.D. from drill string wear. They are recommended for deep holes, deviated holes, high speed drilling, high torque and offshore applications.

Drill Pipe / Casing Protectors

Part Number	Drill Pipe Size	O.D. of Protector
DPP-2845-F	2-7/8"	4-9/16"
DPP-3552-F	3-1/2"	5-1/4"
DPP-3557-F	3-1/2"	5-3/4"
DPP-4056-F	4"	5-5/8"
DPP-4067-F	4"	6-3/4"
DPP-4572-F	4-1/2"	7-1/4"
DPP-5072-F	5"	7-1/4"
DPP-5075-F	5"	7-1/2"
DPP-5580-F	5-1/2"	8"
DPP-3552-S	3-1/2"	5-1/4"
DPP-4567-S	4-1/2"	6-3/4"
DPP-5070-S	5"	7"
DPP-5072-S	5"	7-1/4"
DPP-5075-S	5"	7-1/2"
DPP-5577-S	5-1/2"	7-3/4"

F - Fluted
S - Slick



DPP Fluted



DPP Slick



DPP Tool



DPP Pin

DPP Accessories

Part Number	Description
DPP-PIN	DPP Regular Taper Pin
DPP-PIN-U	DPP Undersized Taper Pin
DPP-TOOL	DPP Manual Installation Tool

Regal Control Line Protectors

The Control King™

With today's well completion and production costs, the efficiency of downhole equipment must be maximized and production interruptions minimized. Well completions using control lines, sensor lines and submersible pump cables are expensive and repairs are both costly and time consuming. Thus, careful consideration must be given to protection of these lines and cables.

The most practical and economical method of protecting lines and cables is with a REGAL Control King control line protector. Regal's patented Control King protectors are designed to provide maximum protection while minimizing installation cost. By incorporating the field proven technology of our drill pipe protectors, REGAL offers a control line protector unmatched in quality and performance - the Control King.



FEATURES:

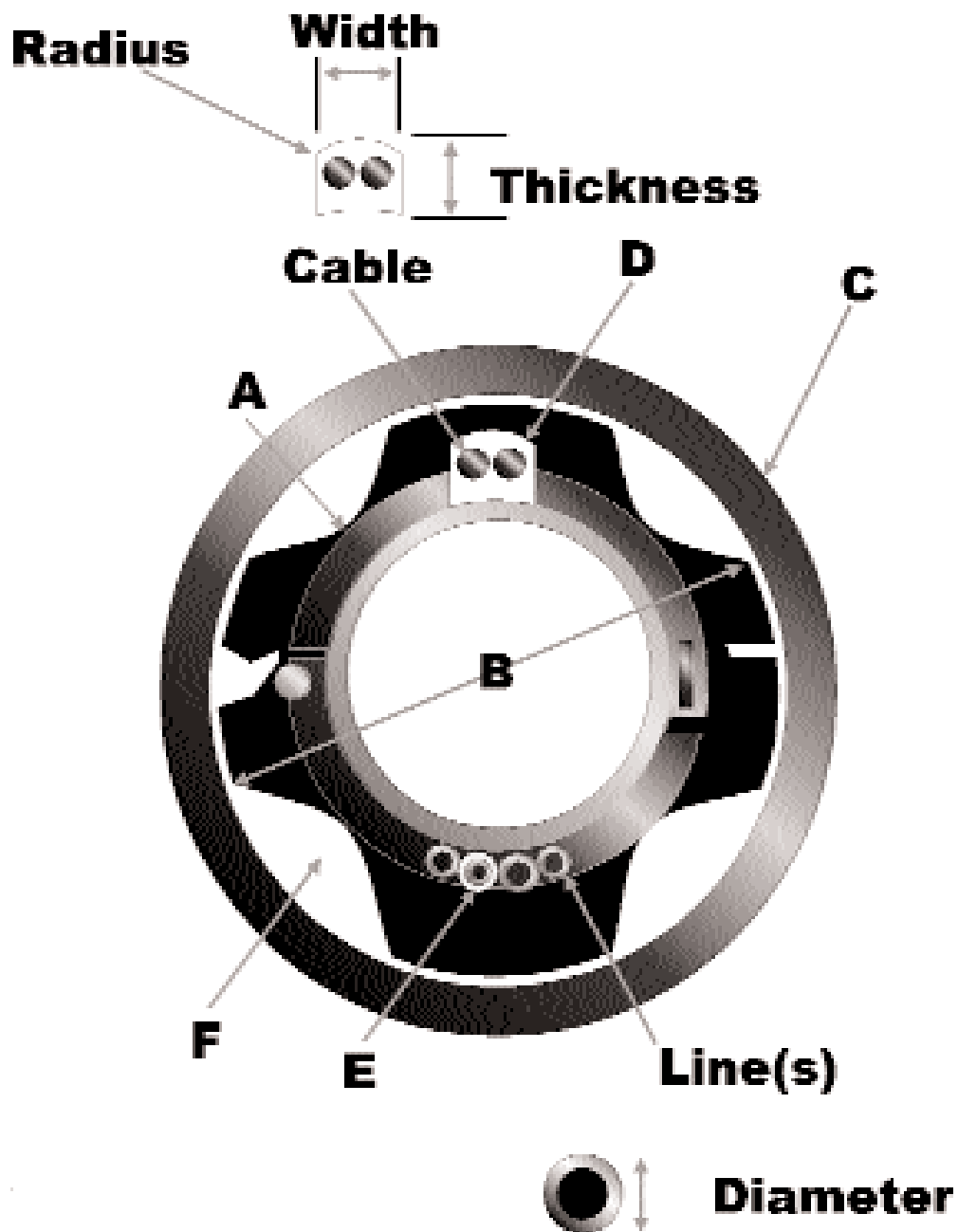
There are certain unique features associated with REGAL's Control King control line protectors. They are:

- (1) **Hinged Can:** Regal originated the hinged can and two-piece molding of the protector. The hinge makes the REGAL Control King the most efficient to install, remove and enables it to be reused.
- (2) **Minimum Rubber Between Can and Pipe:** Because REGAL Control King is locked into the tubing or pipe with a long, tapered pin to provide gripping force, a minimum pad of rubber is used between can and pipe. This thin pad is less inclined to creep than thick pads.
- (3) **Long Tapered Pin:** The REGAL design allows the tapered pin to be driven through the latch mechanism, thus providing a tight, uniform load even on undersize or oversize tubing and pipe to prevent slippage.
- (4) **Narrow, Full Length Flutes:** Flutes are designed to maximize fluid bypass and minimize mechanical drag during run-in. the REGAL Control King is molded from a high modulus, abrasion resistant material formulated to maintain tubing or pipe centralization under even the most severe conditions.
- (5) **Reinforced Slot Structure:** The design of the REGAL Control King cage incorporates a triangularly reinforced bridge over the control line or cable slot to provide controlled clamping pressure to the control line or cable while providing a tight uniform grip on the pipe. The REGAL Control King series of control line protectors is designed to be adapted to the varying casing I.D.'s and varying control line or cable configurations. The Control King protectors can be adapted to meet your specialized applications at a minimum tooling cost. Any combination of casing I.D. and control line configuration is available.

CLP Ordering Information



Ordering information required:
A: Tubing size and weight
B: Maximum CLP O.D.
C: Casing size and weight
D: Cable size including width, thickness and radii
E: Line size including diameter and number of lines
F: Well Bore conditions (pressure, temperature, H₂S, CO₂, etc.)



For over 60 years, Oil States has provided a wide array of elastomeric and plastic products for the oil & gas, defense, construction and general industries. Oil States maintains a high level of technical competency in engineering, development and manufacturing. Oil States swab cups and packer elements are molded from a variety of custom elastomers and meet the most demanding quality requirements in the industry. Oil States Industries, Inc. has representatives carrying the Oil States and Regal product lines at the following locations:

California

Long Beach, CA
Bakersfield, CA
Ventura, CA
Taft, CA

Colorado

Greeley, CO

Illinois

Olney, IL

Kansas

Burrton, KS
El Dorado, KS
Great Bend, KS
Hays, KS

Louisiana

Bossier City, LA
Houma, LA
Lafayette, LA

Mississippi

Natchez, MS
Laurel, MS

New Mexico

Farmington, NM
Hobbs, NM

North Dakota

Williston, ND

Ohio

Wooster, OH
Canton, OH

Oklahoma

Choctaw, OK
Oklahoma City, OK

Texas

Abilene, TX
Alice, TX
Houston, TX
Kilgore, TX
Odessa, TX
Victoria, TX

Utah

Vernal, UT

Wyoming

Casper, WY
Gillette, WY
Rock Springs, WY

Canada

Edmonton, Alberta

Terms and Conditions of Sale

Effective March 15, 2006

Oil States Industries, Proprietary Oilfield Products, is hereafter referred to simply as Oil States.

Warranty

All Oil States products are guaranteed to be free from defects in both workmanship and materials for a period of one year from date of purchase under recommended use or service. This guarantee and the liability of Oil States, however, is limited solely to the replacement of defective parts or refund of purchase price.

Payment Terms

Net 30 Days with Approved Credit, else Payment in Advance of shipping. Master Card and Visa are accepted.

Freight Allowance

FOB Point of Shipment, Ex-works.

Export Sales

Export sales will be made only through the Proprietary Sales Department, Oil States Industries, Inc, Arlington, Texas

Pricing Policy

1. The schedule of discounts and terms and conditions of sales cannot be altered without written approval of the Proprietary Sales Department, Oil States, Arlington, Texas.
2. Minimum charge on all sales, excluding discounts, labor, freight, and other service charges will be \$75.00.
3. All published catalog list price and discount schedules are subject to change without notice.
4. All items classified as "Available by Special Order" are not carried in warehouse stock; delivery might exceed that normally experienced. A Minimum Order of \$500.00 net per line item may be charged on "Special Order" items. Sales on these items are final, and cannot be returned for credit. Contact the Proprietary Sales Department for details on "Special Order" items.

Return Goods

1. Permission must be secured from Oil States prior to return of any merchandise.
2. List of material submitted for return must show date of purchase and invoice number.
3. All return merchandise is subject to inspection by Oil States and must consist of items being actively offered for sale by Oil States.
4. A restocking charge of 15% will be made on all merchandise returned within 90 days after date of purchase. A restocking charge of 25% will be made on merchandise returned after 90 days. Freight must be prepaid by shipper on all returned goods.
5. Credit will be allowed only on merchandise returned within one year of purchase date.
6. Refunds on returned merchandise will be issued in cash or in merchandise credit. Merchandise refunds in form of credit can be applied against future purchases from Oil States, but in no case to exceed fifty percent of any one month's purchase.



Oil States Industries, Inc.
Post Office Box 670
Arlington, Texas 76004-0670
7701 S. Cooper Street
Arlington, Texas 76001
T 817-548-4200
F 817-548-4252
www.oilstates.com
May 2006